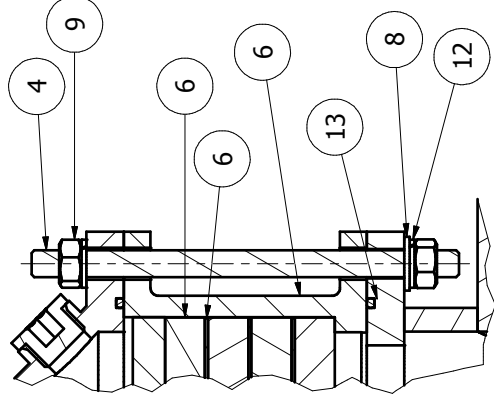
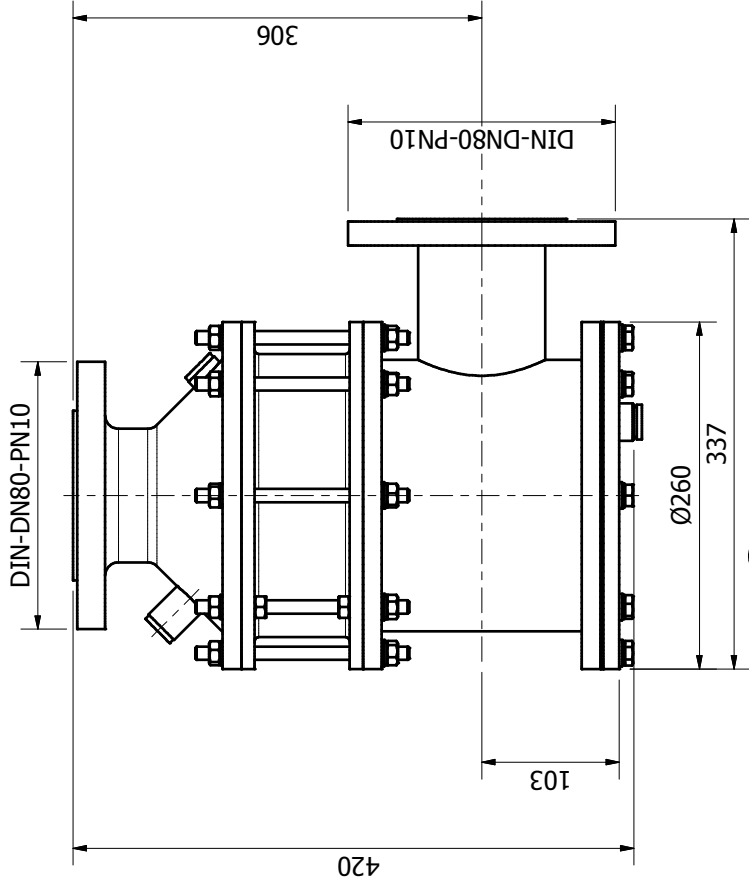


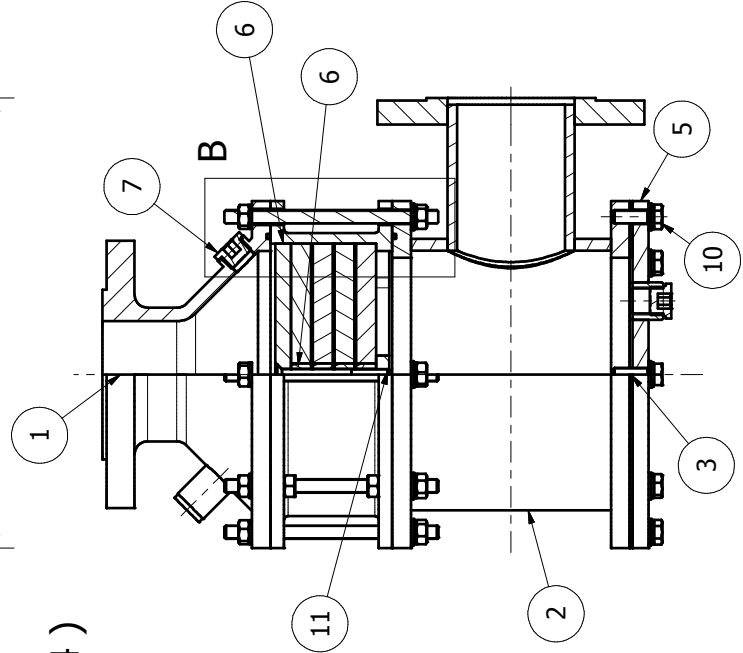
Załącznik 5



B (1 : 2)



A-A (1 : 4)



ELEMENT QTY		PART NUMBER	DESCRIPTION
1	1	SAR522752S2752D	Terminal body DN80
2	1	SAR52000002734A	90° Body DN80
3	1	SAR69000000274A	gasket body-blind cover DN80
4	8	SAR52000010160A	Threated rod M10x160
5	1	SAR52000000275A	Blind cover for sonde
6	1	SAR52455202751B	In line block
7	3	Plug 1/2" Gas	Plug 1/2" Gas
8	16	ISO 7089 - 10 - 140 HV	Washer
9	20	ISO 4032 - M10	Nut
10	8	ISO 4017 - M10 x 30	Hexagonal Head screw
11	1	ISO 10642 - M8 x 85	Hexagon Socket Countersunk Head Screw
12	24	DIN 128 - A10	Grower
13	2	CMEC001576	Gasket-O-Ring 4800

Part list		WEIGHT KG.	N. OF PIECES
MATERIAL		N/A	
RAW MATERIAL DIMENSION			
HEAT TREATMENT			
SURFACE TREATMENT			
DRAWN G.B.	VERIFIED DL	APPROVED FLM	MODEL N.
DATE 24/10/2017	SCALE		EQUIPMENT N.
GENERAL TOLERANCE UNI 22768/1			
PRECISION GRADE: MEDIUM			
up to 6 ± 0.1			
from 6 to 30 ± 0.2			
from 30 to 120 ± 0.3			
from 120 to 315 ± 0.5			
from 315 to 1000 ± 0.8			
from 1000 to 2000 ± 1.2			
from 2000 to 4000 ± 2			
GROUP		FLAME ARRESTER 90°	
DETAIL		ARRE ADSGIIB3/80/1.1/100°	
REPLACED BY DRAWING N.		Tank Protection Division	
REPLACE DRAWING N.			
DRAWING N.		SARZPROT000127A	



Tank Protection Division

REPLACED BY DRAWING N.

REPLACE DRAWING N.

DRAWING N.

SARZPROT000127A